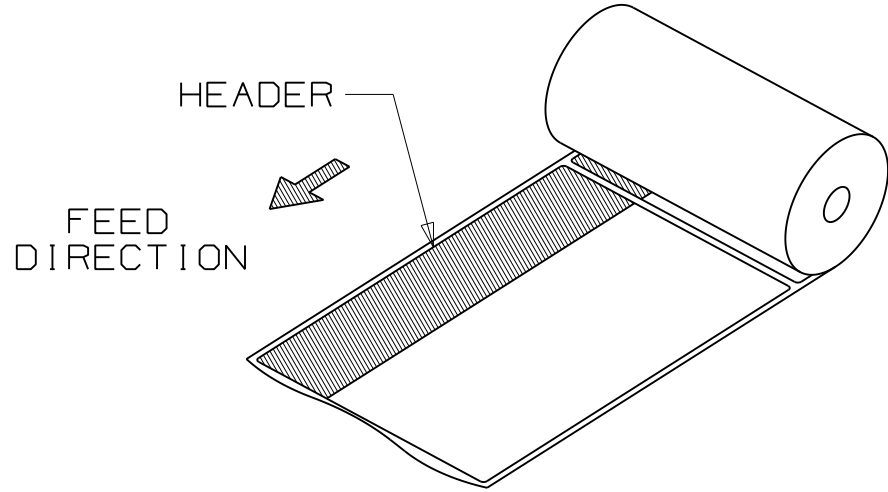
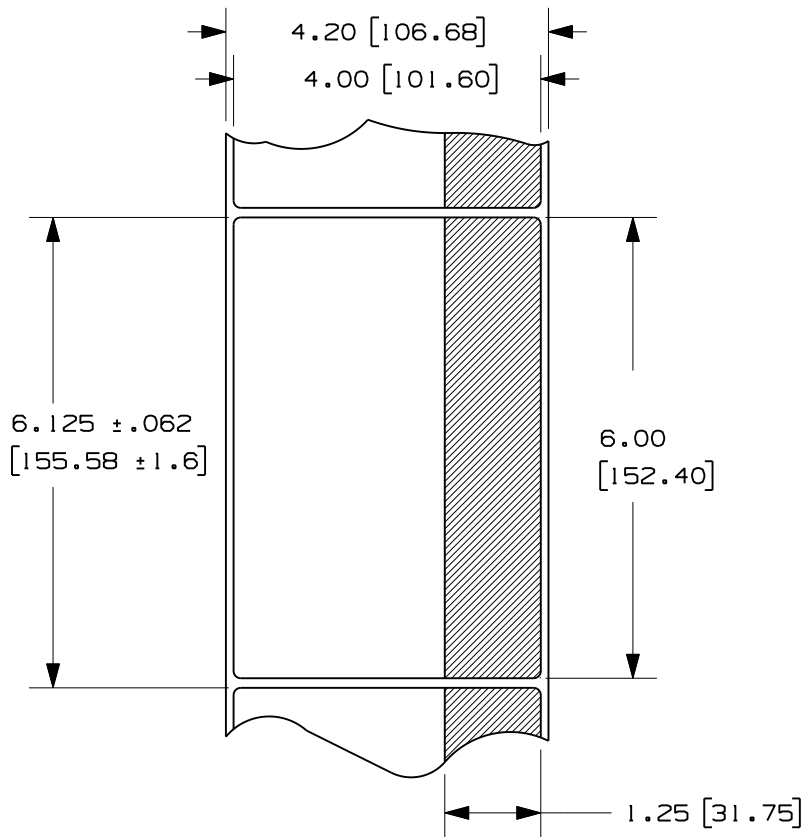


THIS COPY IS PROVIDED ON A RESTRICTED BASIS AND IS NOT TO BE USED IN ANY WAY DETRIMENTAL TO THE INTERESTS OF PANDUIT CORP.



PART NAME	HEADER COLOR	BACKGROUND COLOR	HEADER TEXT COLOR	HEADER TEXT
C400X600AZ1	YELLOW	WHITE	NA	NA
C400X600Y81	NA	YELLOW	NA	NA
C400X600AX1	BLUE	WHITE	WHITE	NOTICE
C400X600AY1	GREEN	WHITE	WHITE	SAFETY FIRST
C400X600YX1	ORANGE	WHITE	NA	NA
C400X600YZ1	RED	WHITE	WHITE	⚠ DANGER
C400X600A41	BLACK and RED	WHITE	WHITE	DANGER
C400X600A51	ORANGE	WHITE	BLACK	⚠ WARNING
C400X600A61	BLACK	YELLOW	YELLOW	CAUTION

NOTES:

- C400X600Y81 HAS NO HEADER. PART TO BE SOLID YELLOW
- DIMENSIONS IN [] ARE MILLIMETERS

CAD FILENAME/LAYERS 100472HG-DC-C10361/11K

PANDUIT CORP. TINLEY PARK, ILLINOIS

C400X600**1
THERMAL TRANSFER BLANK ARC FLASH LABELS
CUSTOMER DRAWING

UNLESS OTHERWISE SPECIFIED,
DIMENSIONAL TOLERANCES ARE:
(.X) ± .1 (.XXX) ± .031
(.XX) ± .062 ANGLES ±

UNLESS OTHERWISE SPECIFIED,
ALL DIMENSIONS ARE GIVEN
IN INCHES, THIRD ANGLE PROJECTION.

DRAWN BY
RVU

MAT'L:

SCALE
NTS

DATE
8-3-05

GYM4-HT
POLYESTER

DRAWING NO.

C10361

DWG
A
SIZE

REV	DATE	BY	CHK	DESCRIPTION	ECN	R	CUST	SUP
9	10/18/11	RVU		ADDED P/N, C400X600A41, C400X600A51, AND C400X600A61. UPDATE TABLE.	6512	R		
8	4/6/10	RVU		ADDED P/N, C400X600AZ1.	6006	R		
7	12/16/09	RVU		Change roll orientation so that the labels face in instead of out. Keep stripe at same side as currently viewed just facing inside. Tol. updated.	5935	R		
6	02-05-09	JHAC		ADDED ⚠ TO C400X600YZ1 HEADER	5669	R		
5	12-22-08	JHAC		CHANGED CARRIER WIDTH FROM 4.188 TO 4.20	5637	R		
4	5-12-08	JHAC		MOVED MATERIAL FROM TABLE TO MATERIAL BOX, CHANGED WIDTH	5404	R		

CHK'D
[Signature]